

### Key Features:

- 3 Phase 115V 400Hz Continuous Input Voltage
- DSP based 3phase PFC input stage
- Vita 62.2 High Voltage Input Connector
- 3500V Isolation Between Input /Output
- Active Input EMI Filtering
- Transient look ahead/cut-off technology
- 6 Voltage output Rails
- Isolated 3.3V aux standby feature
- 1.200W Maximum Continuous Power
- 90% Typical Efficiency
- -40°C to 85°C Operating Temperature
- VITA 62 6U Form Factor
- VITA 46.11 ready
- Patent pending **FourRail** thermal interface
- [SMART.PSU] Technology

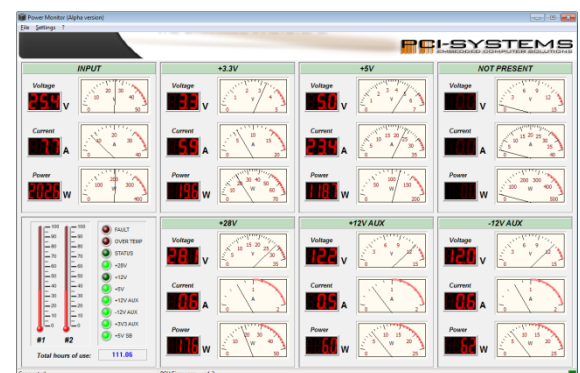
## VITA 62 1 Inch wide 6U ISOLATED 1200W 3P 115VAC 400Hz POWER SUPPLY

This 6U power supply works with **115V 3Phase Input** and can be used for input frequencies from **380Hz to 440Hz** (optional 50/60Hz) and isolates the input voltage ground from the output voltage ground. The power supply is **conduction cooled**, uses **poly-phase** technology on all voltage rails and can provide up to **1200 watts**. It is suitable for use in **mission critical rugged applications**.

[SMART.PSU]PCI-Systems Inc. intelligent power supplies integrate a **microcontroller (MCU)** for a fully programmable and flexible solution. Intelligent power conversion allows **configuration and reconfiguration** for different applications. With intelligent power conversion, the power supply becomes a platform solution for Vita 46.11 system management based systems. The power supply can easily be **reprogrammed** to support different **operating limits and control inputs**.

### Features:

- Parallel operating with multiple power supplies, all rails
- Load sharing and balancing
- Digital On/Off control for low standby power
- Input / Output Voltage rail setting /adjustment
- Spread Spectrum Clocking of power supply stages
- Possibility of external synchronization
- Power supply sequencing and hot-swap control
- Power supply history logging and fault management
- Monitoring all input/output voltages, currents and power
- Current fold back control
- Automatic temperature drift compensation for all outputs
- Total-Elapsed-Time Recorder
- Efficiency calculations at any time
- Communication via SMB/I2C (PMB)for Vita 46.11 system management
- Collects data from temperature sensors for over temperature protection
- Precision compensation of all output voltages using integrated 5ppm voltage reference



Overview	
P/N	<b>PCI_800.318</b>
Hold Up time	<b>100ms/200W</b>
VITA Compliant	<b>VITA 62 Vita 62.2</b>
Size	<b>6U</b>
Temp. Range	<b>-40 +85 C</b>
Input (AC or DC)	<b>AC</b>
Input Range (AC)	<b>3x115V</b>
Active EMI Filtering	<b>YES</b>
Power (W, max.)	<b>1200</b>
Efficiency (% , typ.)	<b>90</b>
# of outputs	<b>6</b>

OUTPUTS (Total output not to exceed 1800W)	
VS1, V@A	<b>+12@40A</b>
VS2, V@A	<b>+12@40A</b>
VS3, V@A	<b>+5@40A</b>
AUX, V@A	<b>+3.3@20A</b>
AUX, V@A	<b>+12@3A</b>
AUX, V@A	<b>-12@3A</b>

FEATURES	
Over-current Protection	<b>YES</b>
Over-voltage Protection	<b>YES</b>
Over-temperature Protection	<b>YES</b>
Current Sharing	<b>VS1, VS2, VS3</b>
Remote Sense	<b>YES</b>
Standard Control	<b>YES, VITA 62.2</b>
Extended Control	<b>YES, PCI Systems</b>

COMPLIANCE	
VITA62	<b>YES</b>
MIL-STD-704 (B-F)	<b>YES</b>
MIL-STD-461	<b>YES</b>
MIL-STD-810G	<b>YES</b>
* ESD Protection	<b>YES</b>
* Shock	<b>YES</b>
* Vibration	<b>YES</b>
* Rapid Decompression	<b>YES</b>
* Corrosion Resistance	<b>YES</b>
* Fungus Resistance	<b>YES</b>
* Altitude	<b>YES</b>
* Humidity	<b>YES</b>

INPUT CHARACTERISTICS					
Parameter	Min.	Typ.	Max.	Units	Notes
<b>Absolute Maximum Ratings</b>					
<b>Input Voltage</b>					
- Non-Operating			<b>300</b>	V	Continuous
- Operating		<b>100</b>	<b>140</b>	V	Continuous- Reverse input Protection
- Operating Transient Protection			<b>450</b>	V	100ms transient, square wave
<b>Isolation Voltage</b>			<b>1500</b>	V	
<b>Operating Temperature</b>	<b>-40</b>		<b>85</b>	C	-55 to +85 deg C optional
<b>Storage Temperature</b>	<b>-55</b>		<b>105</b>	C	
<b>Electrical Characteristics</b>					
<b>Input Voltage</b>					
- Continuous	<b>90</b>		<b>160</b>	V	
- Transient	<b>85</b>		<b>350</b>	V	350V Transient for 100 ms
<b>Under-Voltage Lockout</b>					
- Turn-On Input Voltage Threshold		<b>90</b>		V	

### INPUT VOLTAGE SPIKES SUPPRESSION (Vin Centered)

+/- 450V, 100 us	<b>MIL-STD-1275 N.A.</b>
+/- 490V, 10 us	<b>MIL-STD-461C (CS06); DEF-STAN 61-5</b>
+/- 450V, 5 us	<b>MIL-STD-461C (CS06)</b>
+/- 600V, 10 us	<b>RTCA/DO-160E</b>

### OUTPUT CHARACTERISTICS

Parameter	+12V	+12V	+5V	+3.3V aux	+12V aux	-12V aux	Notes
<b>Output Voltage Set Point, V</b>	<b>12</b>	<b>12</b>	<b>5</b>	<b>3.3</b>	<b>12</b>	<b>-12</b>	Vin = 115VAC
- Drift -40 deg.C to 85degC +/- %	<b>0.01</b>	<b>0.01</b>	<b>0.01</b>	<b>0.01</b>	<b>0.01</b>	<b>0.01</b>	Vin = 115VAC
<b>Output Voltage Trim Range, V</b>	<b>12</b>	<b>12</b>	<b>5</b>	<b>3.3</b>	<b>12</b>	<b>-12</b>	Over Line/load/temp.
	+/- 10%	+/- 10%	+/- 10%	+/- 10%	+/- 10%	+/- 10%	Over Line/load/temp.
<b>Output Voltage Ripple (pk-pk), mV</b>	<b>50</b>	<b>50</b>	<b>40</b>	<b>50</b>	<b>50</b>	<b>50</b>	Full load with 1 uF + 10 uF tantalum capacitor on each slot
<b>Operating Current Range, A</b>	<b>0-40</b>	<b>0-40</b>	<b>0-40</b>	<b>0-20</b>	<b>0-3</b>	<b>0-3</b>	<b>1200W</b> Total, combined Output , at 40 deg C.
<b>Over-Voltage Protection, V</b>	<b>13.6</b>	<b>13.6</b>	<b>6</b>	<b>3.6</b>	<b>13.6</b>	<b>13.6</b>	programmable
<b>Current Limit Inception, A</b>	<b>42</b>	<b>42</b>	<b>42</b>	<b>22</b>	<b>3.1</b>	<b>3.1</b>	programmable
<b>Maximum Output Capacitance, mF</b>	<b>10</b>	<b>10</b>	<b>10</b>	<b>10</b>	<b>1</b>	<b>1</b>	

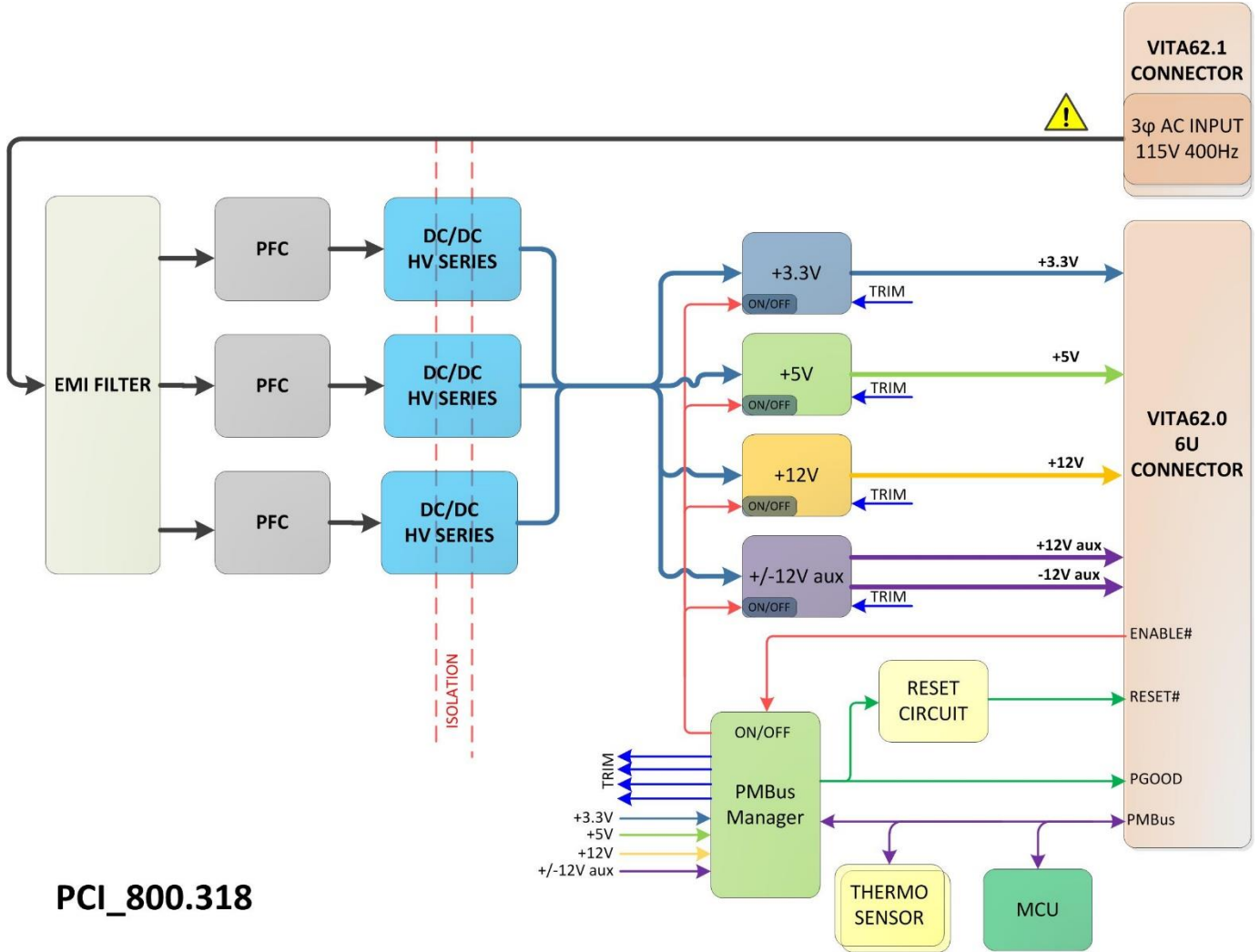
### MODULE QUALIFICATION

Test Name	Method
<b>Random Vibration</b>	<b>MIL-STD-810, 514.6 - Procedure I, Class V3</b>
<b>Shock</b>	<b>MIL-STD-810, 516.6 - Procedure I, VI, Class OS2</b>
<b>Altitude</b>	<b>MIL-STD-810, 500.5 - Procedure I, II, III</b>
<b>Fungus Resistance</b>	<b>MIL-STD-810, 508.6</b>
<b>Corrosion Resistance</b>	<b>ASTM G85, Annex A4</b>
<b>Humidity</b>	<b>MIL-STD-810, 507.5 - Procedure II</b>
<b>High Temperature</b>	<b>MIL-STD-810, 501.5 - Procedure I, II</b>
<b>Low Temperature</b>	<b>MIL-STD-810, 502.5 - Procedure I, II</b>
<b>Temperature Cycling</b>	<b>MIL-STD-202, 107 - Class C4</b>
<b>ESD</b>	<b>EN61000-4-2, Level 4; 15kV Air Discharge</b>

### RELIABILITY CHARACTERISTICS

**Calculated MTBF per MIL-HDBK-217F (GB) at 70 deg C. 4.1 160000 Hrs.**  
**Calculated MTBF per MIL-HDBK-217F (GM) at 70 deg C.0.92 125000 Hrs.**

Version 800.319 has NO 3phase input filter section. Filter must be provided in the chassis!  
 Version 800.319 has holdup stage.

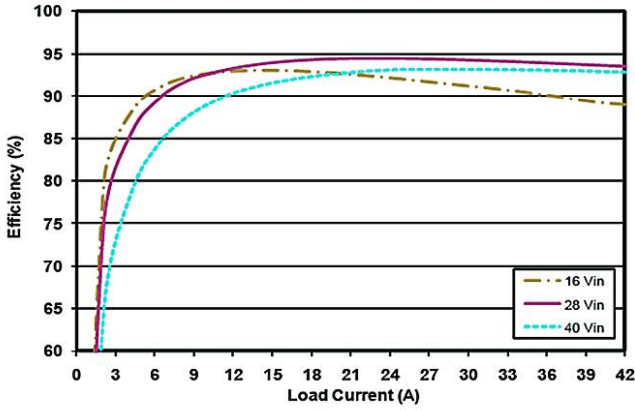


PCI\_800.318

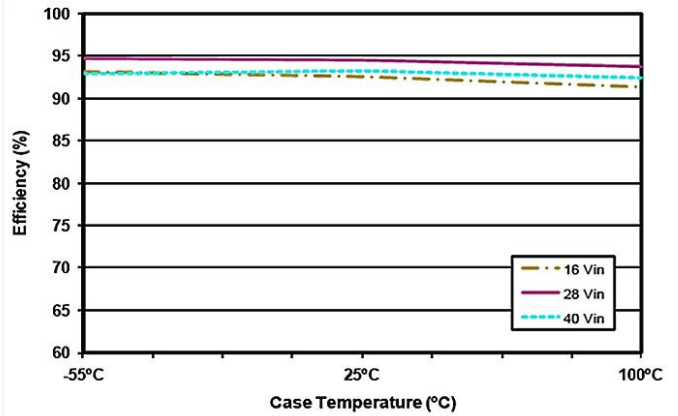
Pin-out: As per VITA 62 specification

Mechanical Dimensions: As per VITA 62 specification (1.6" pitch)

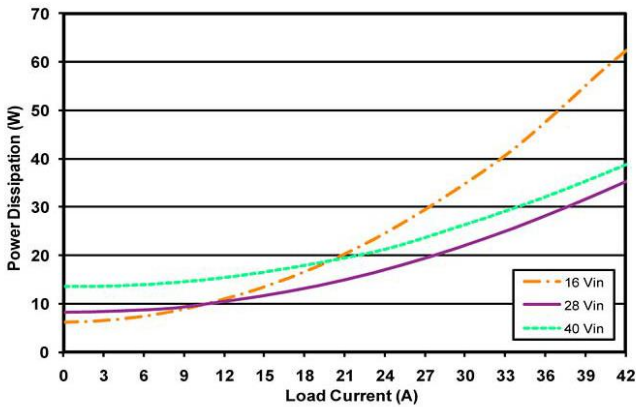
**Efficiency for internal DC-DC stages:**



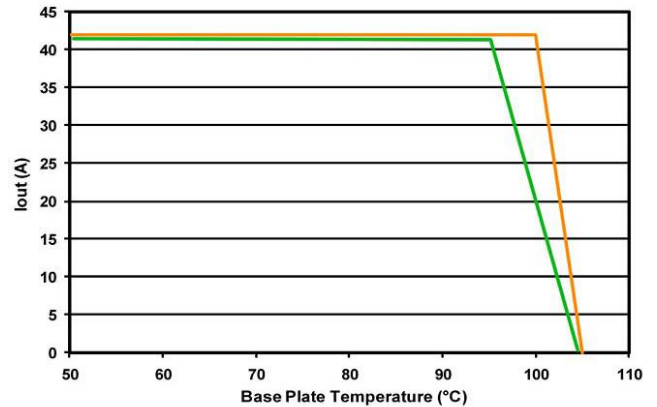
Efficiency at nominal output voltage vs. load current for min, nom, max input V at 25°C



Efficiency at nominal output voltage and 60% rated power vs. case temp for min, nom, max input voltage



Power Dissipation at nominal output voltage vs. current at module cover 25°C (Delta T to wedgelock 7C°)



Thermal derating max current vs. temp at module cover. (Delta T to wedgelock 7C°)

**ORDERING INFORMATION:**

PCI\_800.319\_C

6U VITA 62 1200W 3Phase 115VAC 400Hz Isolated Rugged Power Supply  
NO 3 PHASE INPUT FILTER ON BOARD